

BENEFIT:

- Dependable performance

APPLICATION BEST FOR:

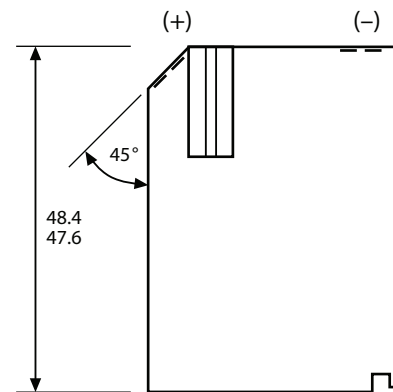
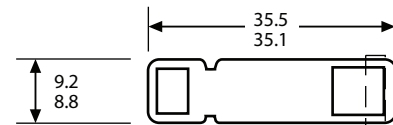
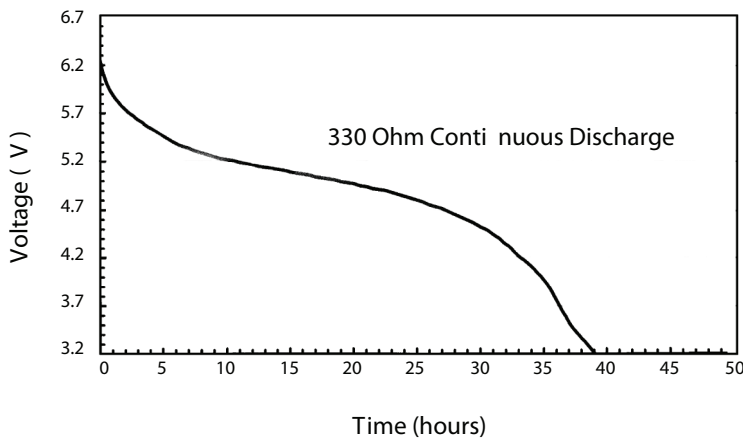


- GP Super Alkaline Battery
- 6 Volts

OTHER DETAILS:

- Mercury Free Alkaline Manganese Dioxide chemistry
- Average weight: 30g

Typical Discharge Characteristics at 21°C



Unit : mm