

# GP Batteries

## Data Sheet

Model No.:VP155

Document Number: SDS9902

Revision:1

Page 1 of 3

### Specifications :

Model No	:	VP155
Battery Type	:	Nickel Metal Hydride
For use with	:	Panasonic NV-R550ENH
Color	:	Black (B)
Battery	:	4 X NT211AFH
Nominal Voltage	:	4.8V
Cut Off Voltage	:	4.0V
Capacity	:	2000 mAh at 0.2C**
Continuous Operation Time*	:	60 minutes (estimated)
Temperature Range	:	Charge : 0 ~ 45° C Discharge : -20 ~ 50° C Storage : -20 ~ 50° C
Casing Material	:	ABS
Typical Weight	:	263g
Charging	:	Battery should be charged in an Original Manufacturer charger. First Charge Rate : 0.1C Subsequent Charge Rate : 0.1C ~ 1C
Leakage Test	:	Leakage test starts after battery is fully discharged. Battery shall be placed under load. The battery should be monitored for a period up to two months but not less than ten days.
Safety	:	Each battery is equipped with a thermostat and thermistor to protect battery from high temperature and/or short circuit Each cell is also equipped with a safety vent system in case abuses occur.
Warranty	:	Six (6) months limited warranty from date of purchase.

\*\*data valid only when the battery pack is on fully charged condition.

\*\*\* Battery pack should be firstly charged and discharged for 3 complete cycles as a warm-up. The pack should then be charged at 0.1C and its capacity be measured by discharging at 0.2C till cut.

# GP Batteries

**Data Sheet**

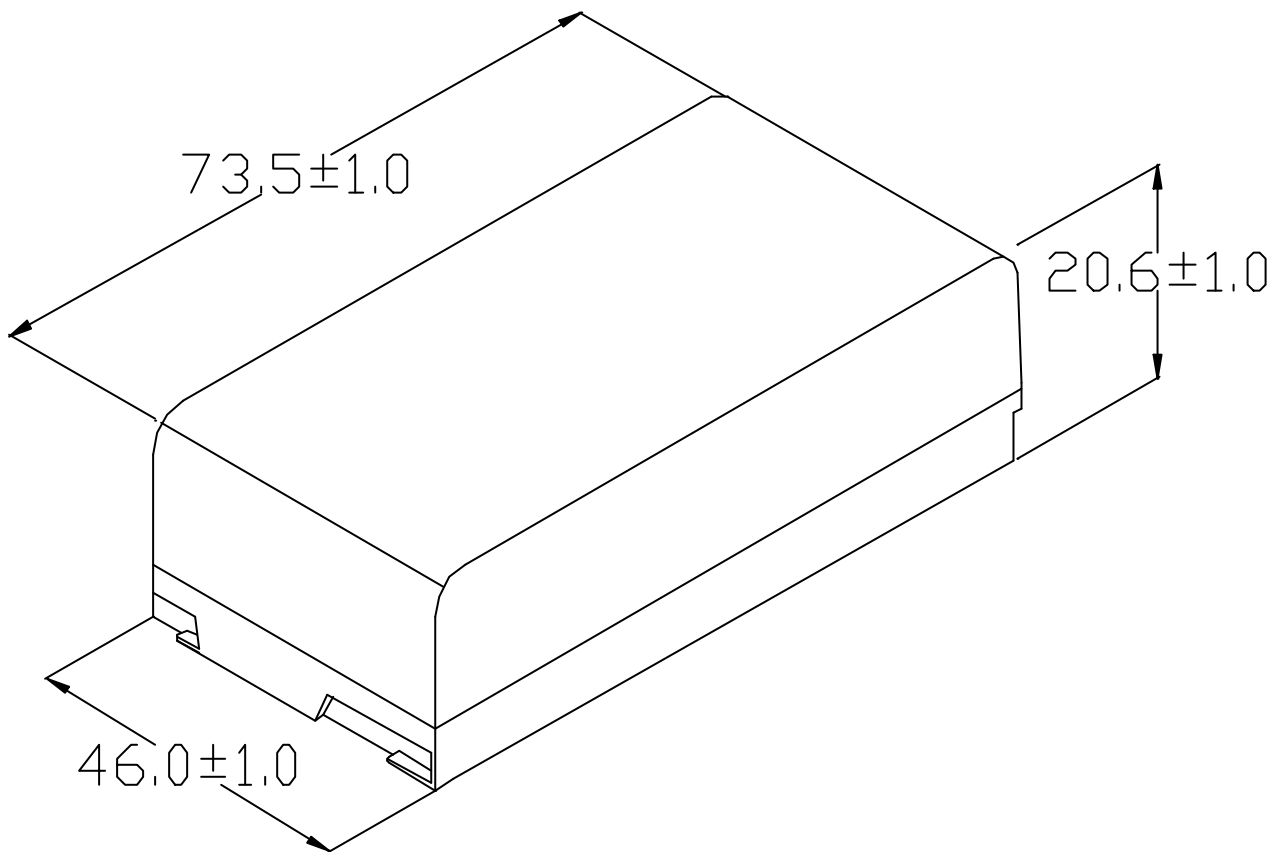
**Model No.:VP155**

Document Number: SDS9902

Revision:1

Page 2 of 3

**Mechanical Drawing :**



Remark: Dimensions showed are for reference only. For detail, please refer to the engineering drawing.

# GP Batteries

**Data Sheet**

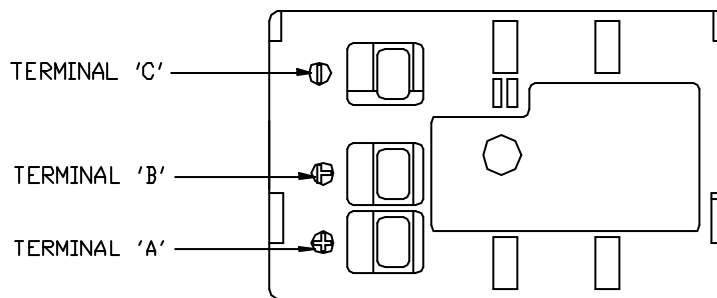
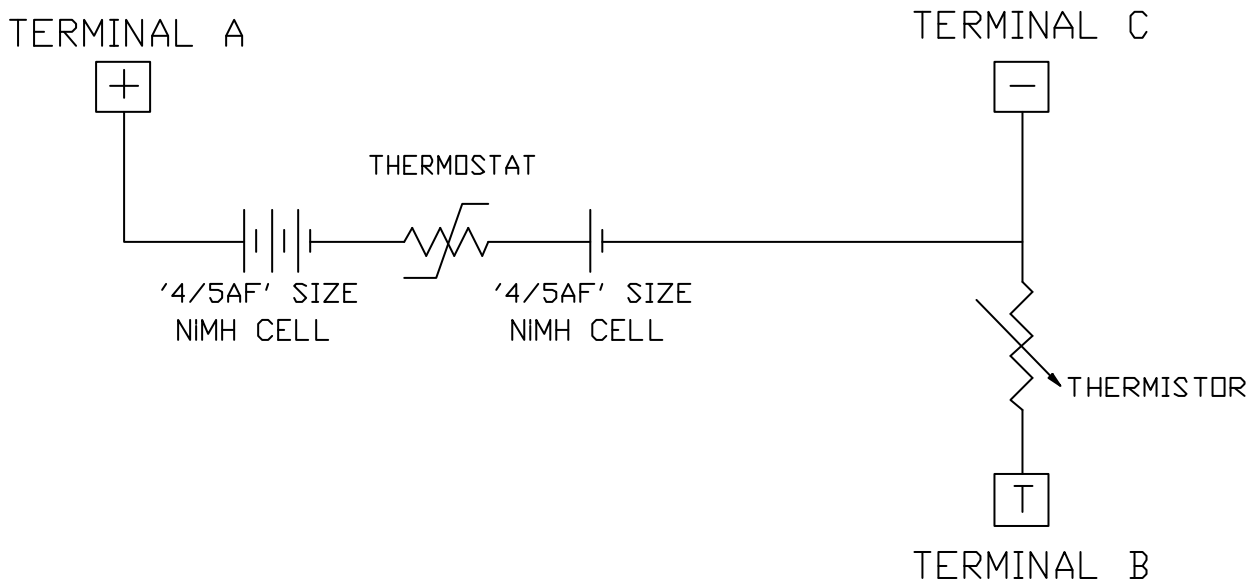
**Model No.:VP155**

Document Number: SDS9902

Revision:1

Page 3 of 3

**Circuit Diagram :**



FRONT VIEW

DESCRIPTION	CHECK POINT	SPECIFICATION
D.C.V.	A-C	+4.8V MIN. DC MIN. (<'A' IS +VE TERMINAL>)
THERMISTOR	B-C	8.2Kohm - 13.7Kohm (20°C-27°C)

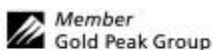
Distributed by:

**MICROBATTERY.COM**

7350 NW 35th Terrace, Miami, Florida 33122

Customer Service: 1-866-999-2355 Phone: 1-305-371-9200 Fax: 1-305-371-9400

www.microbattery.com



Manufacturer reserves the right to alter or amend the design, model and specification without prior notice.