



533 Maryville University Drive, St. Louis, MO  
63141 www.rayovac.com

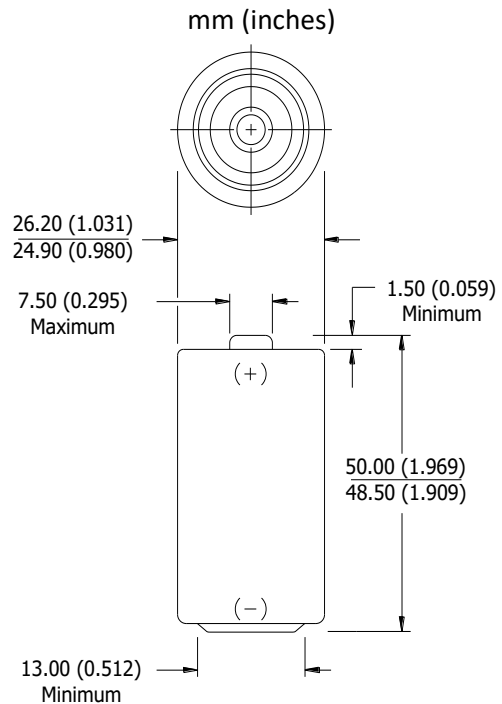
## 814, 814 OEM, C ULTRA PRO

### General Information

Battery Number:	814, 814 OEM
Type:	C ULTRA PRO
Chemistry:	Alkaline Zinc-Manganese Dioxide (Zn/MnO <sub>2</sub> )
Designation:	ANSI-14A, IEC-LR14
Nominal Voltage:	1.5
Shelf Life:	10 years at 21°C
Operating Temp:	-18°C to 55°C
Weight:	66.2 grams
Volume:	26.9 cc
Terminals:	Flat contact



### Industry Standard Dimensions



### Industry Standard ANSI / IEC Tests:

### Typical Performance

Name	Test	Runtime
Portable Stereo	400 mA 2 HR/DY 21C to .9V	12.9 hours
Portable Lighting	3.9 Ω 8 HR/DY 21C to .9V	20.8 hours
Toy	3.9 Ω 1HR/DY 21C to .8V	21.5 hours

### Important Notice

This datasheet contains typical information specific to products manufactured at the time of its publication. Contents herein do not constitute a warranty and are for reference only.