

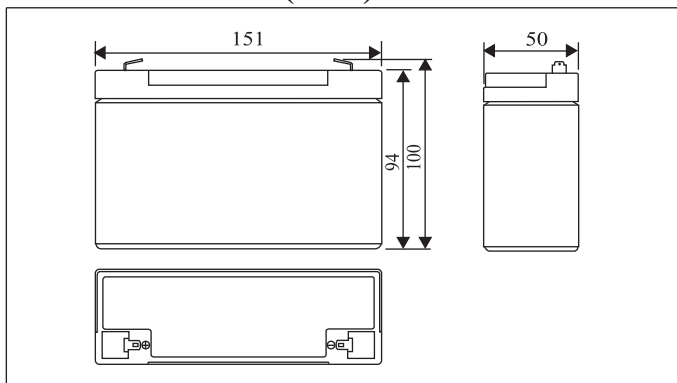
## 3FM12 (6V12AH)

### • Specifications

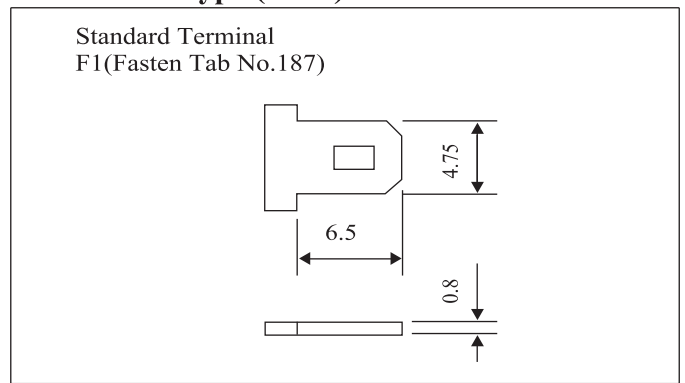
Nominal Voltage		6V
Nominal Capacity (20HR)		12AH
Dimension	Length	151±1mm ( 5.94 inches )
	Width	50±1mm ( 1.97 inches )
	Container Height	94±2mm ( 3.70 inches )
	Total Height	100±2mm ( 3.94 inches )
Weight		Approx 1.95Kg ( 4.29 lbs )
Standard Terminal		F1-Fasten Tab No.187



### • Outer Dimensions ( mm )



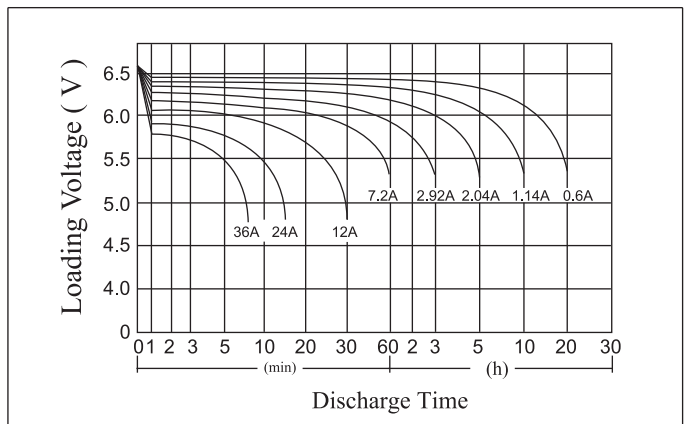
### • Terminal Type ( mm )



### • Characteristics

Capacity	20 hour rate (0.60A)	12.0Ah
	10 hour rate (1.14A)	11.4Ah
	5 hour rate (2.04A)	10.2Ah
	1 hour rate (7.20A)	7.2Ah
Capacity affected by temperature	40 °C (104°F)	105%
	25 °C (77°F)	100%
	0 °C (32°F)	85%
Internal Resistance		Fully charged battery (25°C, 77°F) 10mΩ
Constant-Voltage Charge	Cycle	Initial Charging Current less than 3.6A Voltage 7.20~7.50V at 25°C (77°F) Temperature Coefficient -15mV/°C
	Stand by	No limit on Initial Charging Current Voltage 6.75~6.90V at 25°C (77°F) Temperature Coefficient -10mV/°C

### • Discharge curves 25°C (77 °F)



### Constant Current ( Amp ) and constant power ( Watt ) Discharge Table at 25°C ( 77°F )

Time		5min	10min	15min	30min	1h	2h	3h	4h	5h	8h	10h	20h
4.80V	A	48.0	32.4	22.8	13.8	7.20	4.20	3.09	2.48	2.11	1.39	1.13	0.62
	W	255	172	121	73	41.5	24.3	17.9	14.4	12.2	8.0	6.6	3.60
5.10V	A	43.2	29.5	20.5	13.1	6.76	4.03	3.00	2.40	2.06	1.37	1.1	0.61
	W	240	164	114	73	39.0	23.3	17.4	13.9	12.0	7.9	6.5	3.50
5.25V	A	40.9	28.1	19.2	12.7	6.54	3.95	2.95	2.28	2.04	1.35	1.10	0.60
	W	231	159	109	72	37.8	22.9	17.1	13.2	11.9	7.8	6.4	3.48
5.40V	A	38.0	26.6	18.0	12.4	6.32	3.85	2.90	2.24	1.95	1.31	1.07	0.59
	W	221	155	105	72	36.8	22.4	16.9	13.0	11.4	7.5	6.3	3.40
5.55V	A	36.0	25.2	16.8	12.0	6.10	3.75	2.75	2.20	1.87	1.28	1.05	0.57
	W	214	150	100	71	36.3	22.2	16.4	13.0	11.1	7.2	6.1	3.38